

# ONELOCK HEAVY DUTY LOCK



SPECIFICATION SHEET / 075

- A robust, easy to fit lock for use on metal and wooden gates.
- The lock couples easy access with deadlocking for security.
- To operate, pull the bolt across to hold the gate closed and use the key to deadlock for security.
- Avoids the inconvenience of using a padlock.



## PRODUCT DETAILS

Product code:	Description:
OL1000	OneLock
OL1001	Slotted backplate
OL1002	Angle bracket

Accessories to order separately:

- Slotted backplate for double gates.
- Angle bracket for fixing on narrow gate frames ie. 50 x 10 flat bar or 50 x 25 box sections

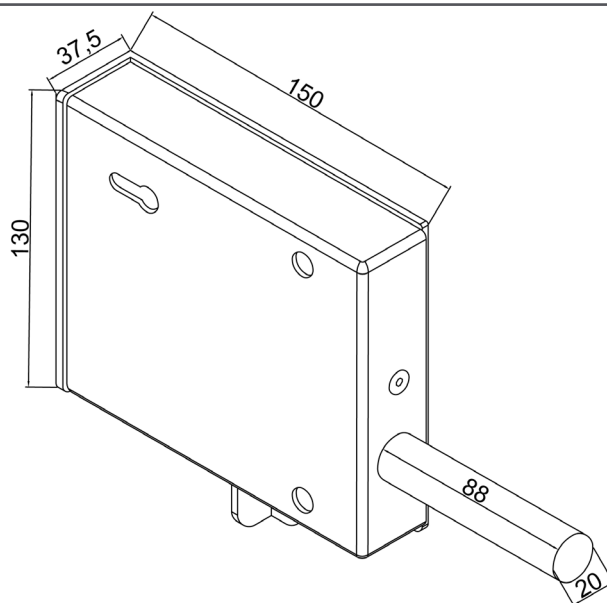
Recommended for:

- Farm gates
- Barn doors
- Wooden gates
- Metal gates



## INSTALLATION

1. Simply bolt the lock to the gate frame using bolts and security nuts supplied.
2. **MAINTENANCE** Lubricate lock mechanism through the key hole with light oil every 6 months.



 GATEMASTER

VISIT [SIGNETLOCKS.CO.UK](http://SIGNETLOCKS.CO.UK) FOR MORE INFORMATION