

# WELD-IN DEADLOCKING LATCH



SPECIFICATION SHEET / 093

- This weldable latch provides convenient security on communal or high usage gates.
- The latchbolt automatically deadlocks when the gate is shut, preventing the latch being pulled back.
- The mild steel lockcase comes in various widths for easy welding into the gate frame.
- Can be used for left and right handed gates.



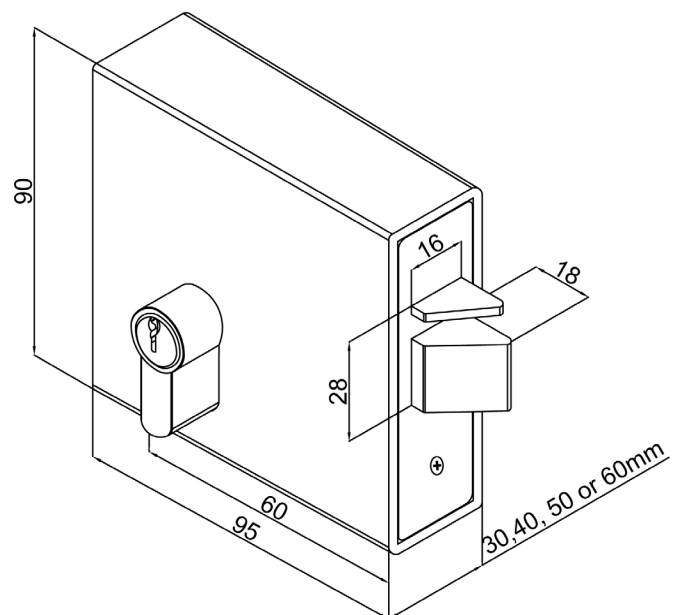
## PRODUCT DETAILS

Product code:	Description:
GDL30L	30mm case width, left hand
GDL30R	30mm case width, right hand
GDL40L	40mm case width, left hand
GDL40R	40mm case width, right hand
GDL50L	50mm case width, left hand
GDL50R	50mm case width, right hand
GDL60L	60mm case width, left hand
GDL60R	60mm case width, right hand

Material: Mild steel.  
Includes: Weld on keep plate supplied.

## INSTALLATION

1. Weld the lockcase to the gate and galvanise or paint as part of the gate.
2. Slide the insides of the lock into the lockcase and fit the eurocylinder, securing with the countersunk screw.
3. Weld the keep to the gate post and bend to provide a ramp for the latch to ride up, ensuring the top latch does not spring out when the gate is shut.
4. **MAINTENANCE** Annually - remove lock from lockcase and lightly oil all moving parts.



 **GATEMASTER**

VISIT [SIGNETLOCKS.CO.UK](http://SIGNETLOCKS.CO.UK) FOR MORE INFORMATION