

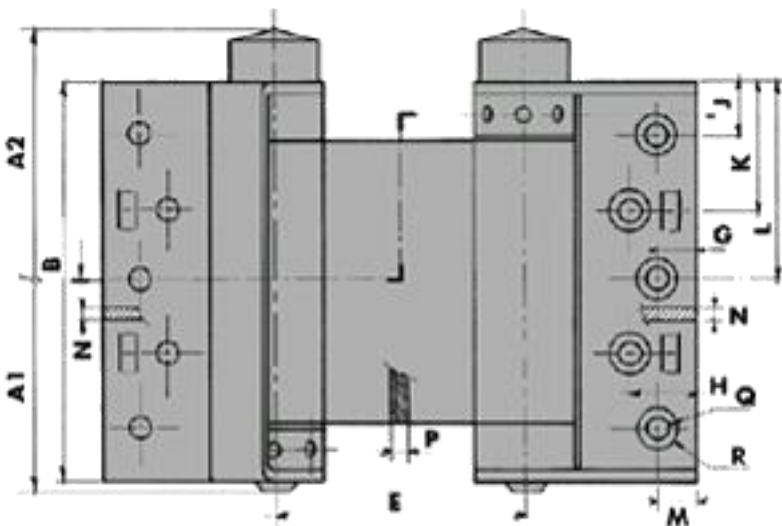
Steel hinges suitable for closing gates. Gate will open both ways and return to the centre. Available in painted or stainless steel.



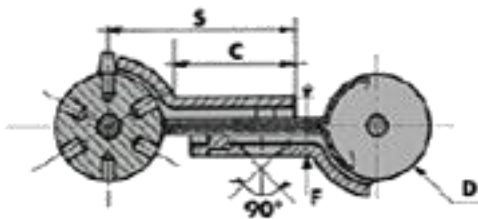
Product Options

- SHD 125 – Spring hinge double action steel 125mm – 25kg gate
- SHD 175 – Spring hinge double action steel 125mm – 45kg gate

Installation



G : EXCEPT HINGES - LDAC3 & LDA04



	A1	A2	B	C	D	E	F	G	H
DELDA05 / 33	128	147	125	30	22.5	62.5	12.5	11	21

	J	K	L	M	N	P	Q	R	S
DELDA05 / 33	12	35	62.5		2	3.9	5.5	8	45