

GATE CLOSING HINGE KIT



SPECIFICATION
SHEET / 138

- Ⓜ A simple and robust weldable gate hinge with integral adjustable spring.
- Ⓜ Suitable for both square or round gate frames.
- Ⓜ Its maintenance free design ensures a long lasting operation for high usage applications.
- Ⓜ Available in mild steel or *stainless steel.

PRODUCT DETAILS

Product code:	Description:
CHKS	Mild steel, square gate frame
CHKR	Mild steel, round gate frame
*CHKSSS	316 stainless steel, square gate frame
*CHKRSS	316 stainless steel, round gate frame

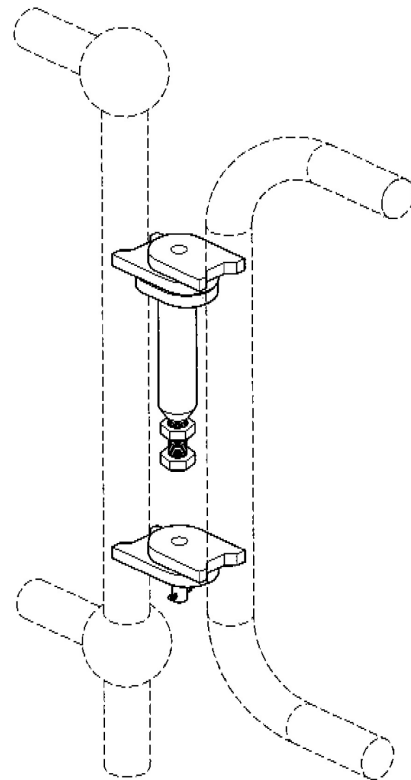
Material: Comes in mild steel or *316 stainless steel.

*Please enquire about the stainless steel version by contacting us directly.



INSTALLATION

1. Weld the brackets to the gate and to the gate post.
2. Assemble the gate closer onto the top brackets as shown in the drawings opposite.
3. **MAINTENANCE** Lubricate with light oil periodically.



 **GATEMASTER**

VISIT SIGNETLOCKS.CO.UK FOR MORE INFORMATION

