

# SELECT PRO BOLT ON LATCH



SPECIFICATION SHEET / 149

- Stainless steel latchbolt springs 13mm into the gate post to hold the gate closed.
- Latchbolt is adjustable in length for precise fitting on site. Easy to rotate for Left handed and Right handed gates.
- Supplied with handles - three styles available.
- Supplied with bolt support plate and gate post strike plate.



## PRODUCT DETAILS

Product code:	Description:
SBL1601 SBL1602	To fit flat bar and up to 30mm box section To fit 40 to 60mm box section

Style of handle:	Description:
TDH OK AH	Traditional handle set Octogonal handle set Black lever handle set

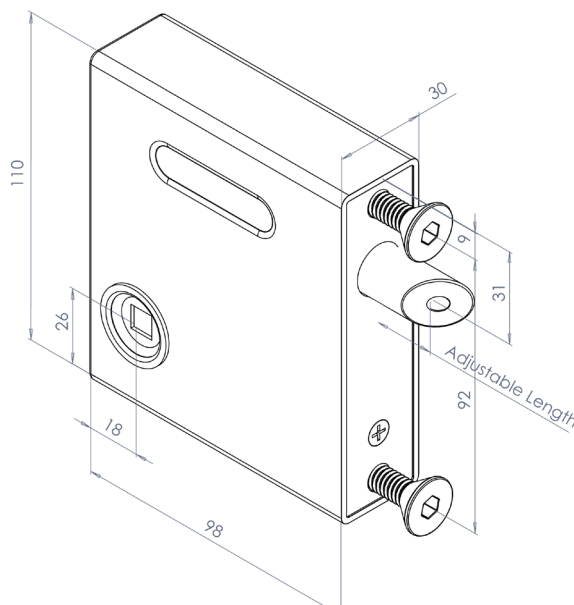
Marine grade: Salt spray tested for 1000 hours.  
Latchbolts: Adjustable, latchbolt springs 13mm.



Perfect for both LH/RH gates.

## INSTALLATION

- Drill 2 x 9mm dia. holes at 92mm centres for M8 fixing bolt.
- Drill 18mm clearance hole for latchbolt at 22mm centres down from the top 9mm hole.
- Fix lock in place using stainless steel clamp plate, bolt support plate and 2 stainless steel countersunk fixing bolts supplied.
- Drill clearance hole in keep or outer frame to receive the latchbolt. Slot this hole vertically to allow for gate sag. Fit strike plate by either welding or screw fixing it to the gate post.
- Ensure latchbolt moves freely without binding on gate or frame.
- MAINTENANCE** Every two months, lubricate the latchbolt with light oil. Annually, dismantle lock and spray the mechanism inside with light oil.



Check out our Gatemaster Locks channel to view installation videos!

GATEMASTER

VISIT [SIGNETLOCKS.CO.UK](http://SIGNETLOCKS.CO.UK) FOR MORE INFORMATION

