

SELECT PRO WELD IN LATCH



SPECIFICATION SHEET / 153

- Stainless steel latchbolt which springs 13mm into the gate post to hold the gate closed.
- Latchbolt is adjustable in length for precise fitting on site. Easy to rotate for Left handed and Right handed gates.
- Handles to be ordered separately.
- Supplied with bolt guide plate and gate post strike plate.



PRODUCT DETAILS

Product code: Description:

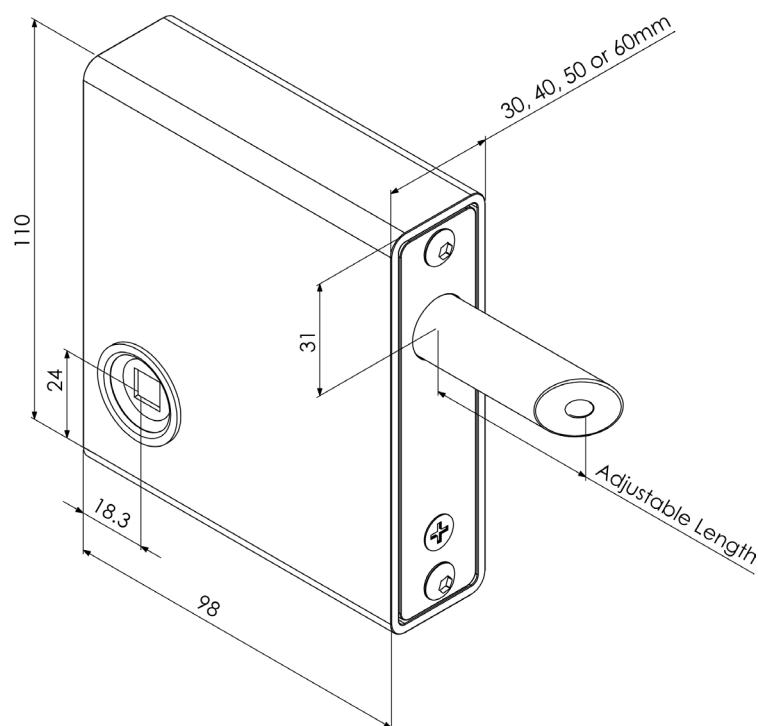
SWL1630	For 30mm wide lockcases
SWL1640	For 40mm wide lockcases
SWL1650	For 50mm wide lockcases
SWL1660	For 60mm wide lockcases

Style of handle: Description:

TDH	Traditional handle set
OK	Octagonal handle set
AH	Black lever handle set

Latchbolts: Adjustable, latchbolt springs 13mm.
Material: Stainless steel. Support plate with brass bearings for reduced friction, wear and increase product life.

Perfect for both LH/RH gates.



INSTALLATION

- Weld the lockcase to the gate and galvanise or paint as part of the gate.
- Fit the lock and eurocylinder into the lockcase and secure with screws.
- MAINTENANCE** Every two months, lubricate the latchbolt with light oil. Annually, dismantle lock and spray the mechanism inside with light oil.



GATEMASTER

VISIT SIGNETLOCKS.CO.UK FOR MORE INFORMATION

