

SUPERLOCK BOLT ON DEADLOCK



SPECIFICATION SHEET

/ 192

- G** Easy to fit - Slim 67mm wide stainless steel lock case along with adjustable and removable deadbolt ensure easy fitting to gates.
- G** Secure - The deadbolt has a 28mm throw ensuring the bolt enters deep into the gatepost.
- G** Durable - The deadbolt is supported on the edge of the gatepost to reduce friction and wear.

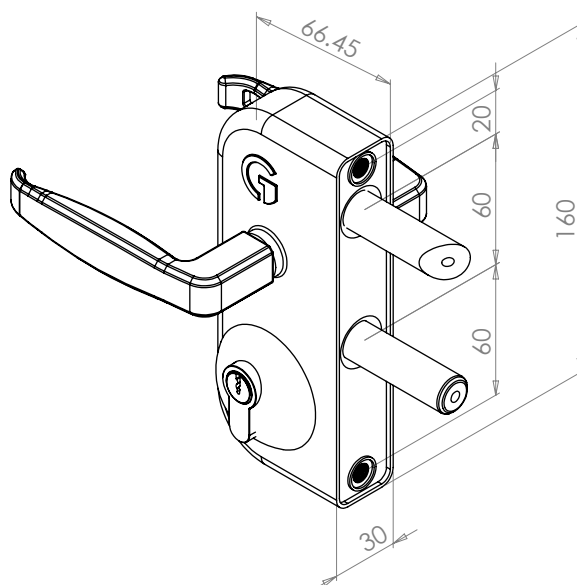


PRODUCT DETAILS

Product code:	Description:
BD1030	Key operated deadbolt, to fit 10-30mm wide gate frames.
BD4060	Key operated deadbolt, to fit 40-60mm wide gate frames.

INSTALLATION

1. Drill 2 x 9mm holes at 140mm centres for fixing bolts provided.
2. Drill 18mm clearance hole for the deadbolt at 60mm centres up from the bottom fixing hole.
3. Hold the lock against the back of the box section and screw the deadbolt through the top 18mm hole.
4. Lock the deadbolt with the hex key supplied by inserting the hex key into the end of the deadbolt.
5. Fix lock in place using the stainless steel bolt support plate and the countersunk screws provided. Ensure the deadbolt moves freely.
6. Secure the keep using the self tapping screws supplied.
7. **MAINTENANCE** Every 6 months, lubricate the deadbolt with light oil. Annually, dismantle the lock and spray mechanism with light oil.



G GATEMASTER

VISIT SIGNETLOCKS.CO.UK FOR MORE INFORMATION