

# GATE RESTRAINER



SPECIFICATION  
SHEET

GRS

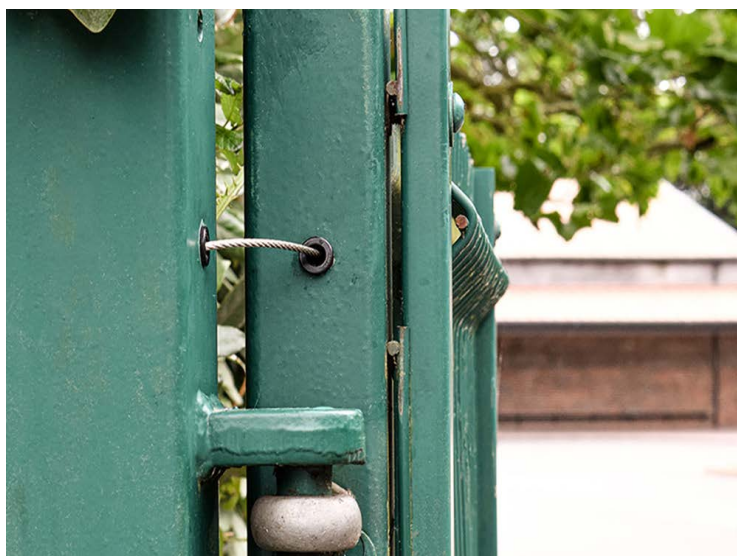
- Ⓜ A simple but essential safety device to prevent the gate falling over should the top hinge fail
- Ⓜ Tough design, with stainless steel wire rope and robust crimped end ferrules
- Ⓜ Easy to fit - simply drill a 13mm hole in the gate and the post.
- Ⓜ Tested on gates up to 500kg



## PRODUCT DETAILS

Product code:	Description:
GRS03	Gate restrainer for gates up to 260kg
GRS04	Gate restrainer for gates up to 500kg

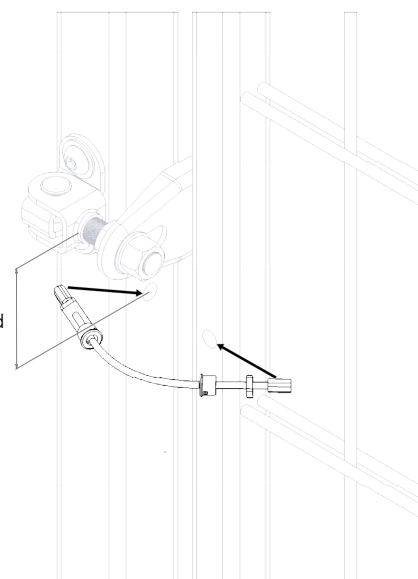
Materials: Stainless steel + brass  
Plastic cover bushes included



## INSTALLATION

1. Drill a 13mm hole into the gate and the post, 30-50mm above or below the top hinge.
2. Slot the 2 end stops into the holes and push on the plastic bushes. These protect the gate from scratches and allow the wire to slide in and out easily.

30-50mm above or below top hinge is recommended



 GATEMASTER

VISIT [GATEMASTERLOCKS.COM](http://GATEMASTERLOCKS.COM) FOR MORE INFORMATION