

- Stainless steel latchbolt which springs 13mm into the gate post and then moves to 30mm when you turn the key and deadlock the lock.
- Latchbolt is adjustable in length for precise fitting on site.
- Easy to rotate latchbolt for LH/RH gates.
- Supplied with gate post strike plate.
- Handles need to be ordered separately.



## PRODUCT OPTIONS

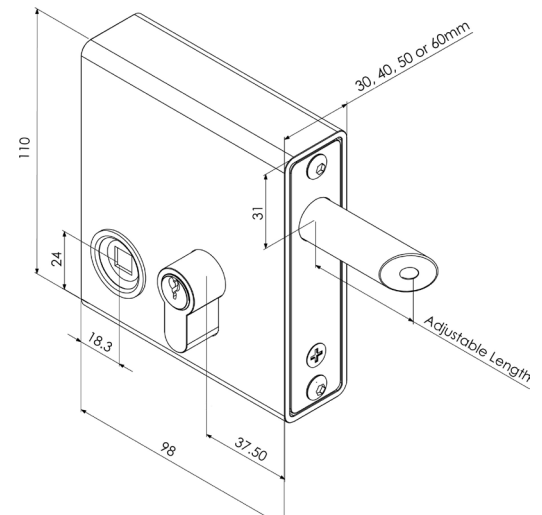
Four lockcase widths available,  
**SWD1630** 30mm wide  
**SWD1640** 40mm wide  
**SWD1650** 50mm wide  
**SWD1660** 60mm wide



## INSTALLATION

Weld the lockcase to the gate and galvanise or paint as part of the gate.  
Fit the lock and Eurocylinder into the lockcase and secure with screws.

Weld the strike plate to the gate post & bend to provide a ramp for the latch to ride up.



## MAINTENANCE

Every 2 months - Lubricate latchbolt with light oil.  
Annually – Dismantle lock and spray mechanism inside with light oil.

